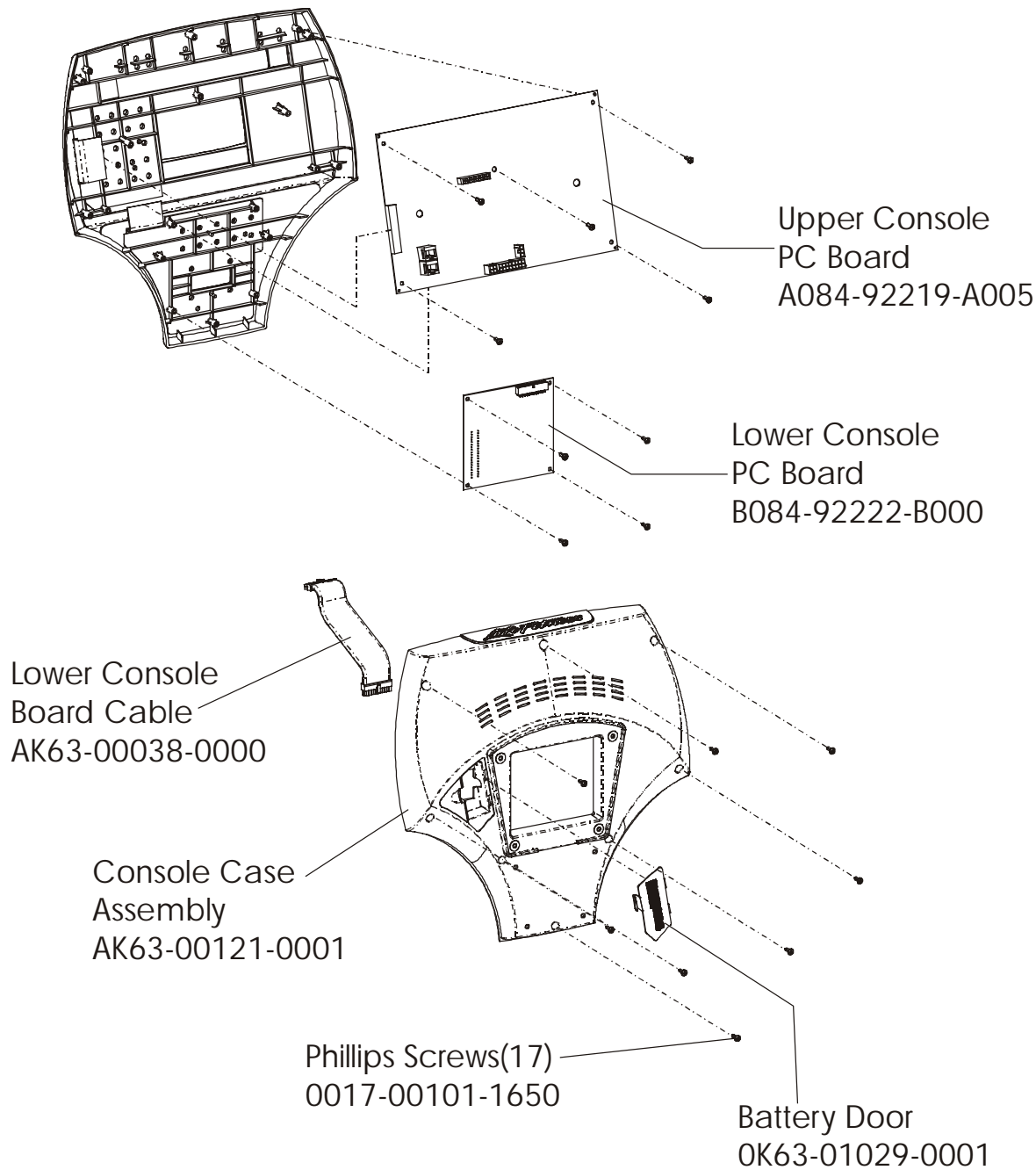


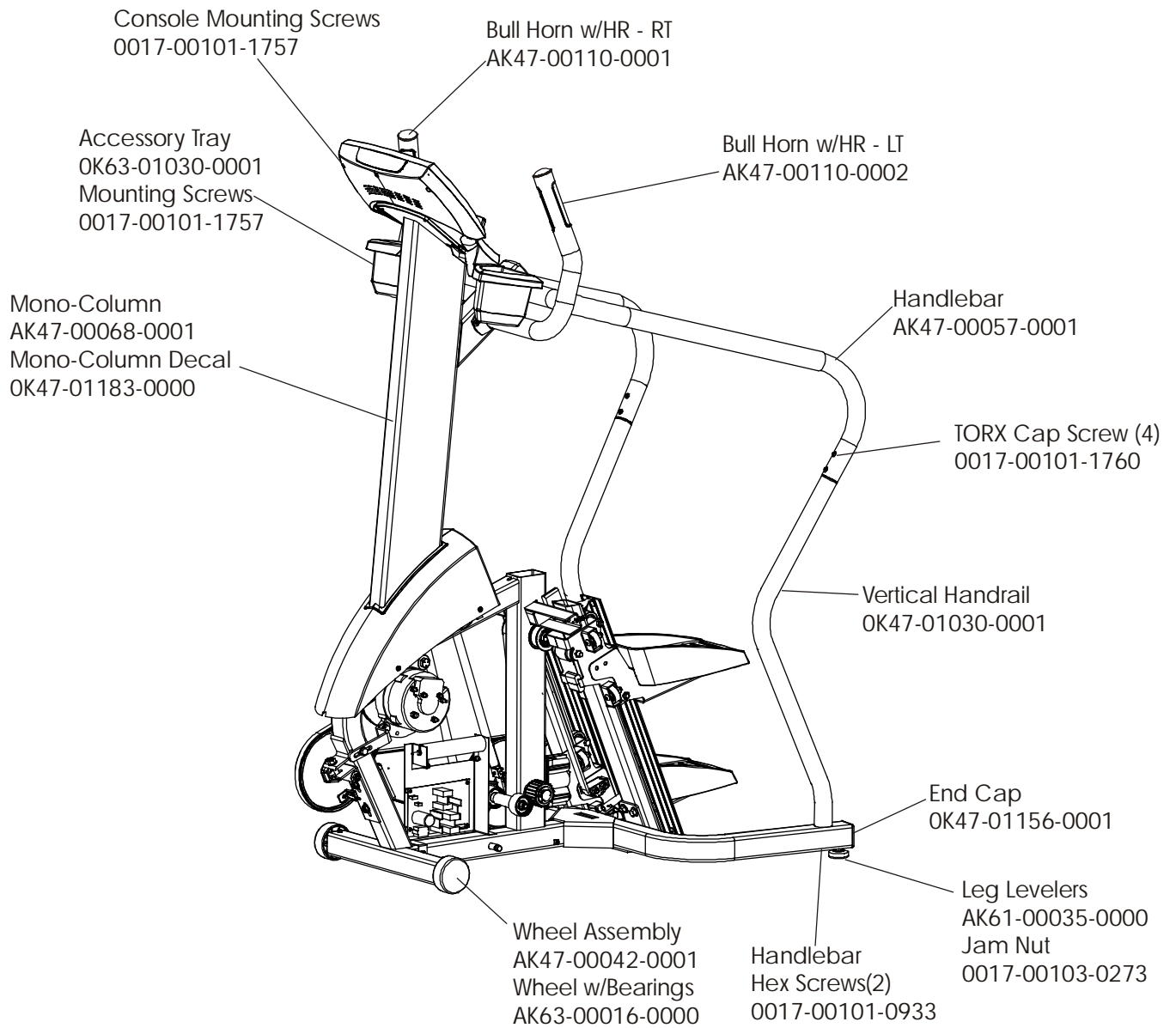
| Description | Part Number |
|-----------------------|-----------------|
| Service Manual | M051-00K47-A013 |
| Operation Manual, Eng | M051-00K47-A025 |
| Hardware Bag | AK47-00106-0000 |



| Console Assembly | Overlay/Bezel/Switch Assy |
|-------------------------|----------------------------------|
| AK47-00094-0001 Eng Met | AK47-00098-0001 Eng Met |
| AK47-00094-0003 Ger Met | AK47-00098-0003 Ger Met |
| AK47-00094-0004 Spn Met | AK47-00098-0004 Spn Met |
| AK47-00094-0006 Jap Met | AK47-00098-0006 Jap Met |
| AK47-00094-0007 Frn Met | AK47-00098-0007 Frn Met |
| AK47-00094-0008 Itl Met | AK47-00098-0008 Itl Met |
| AK47-00094-0009 Dut Met | AK47-00098-0009 Dut Met |
| AK47-00094-0010 Por Met | AK47-00098-0010 Por Met |

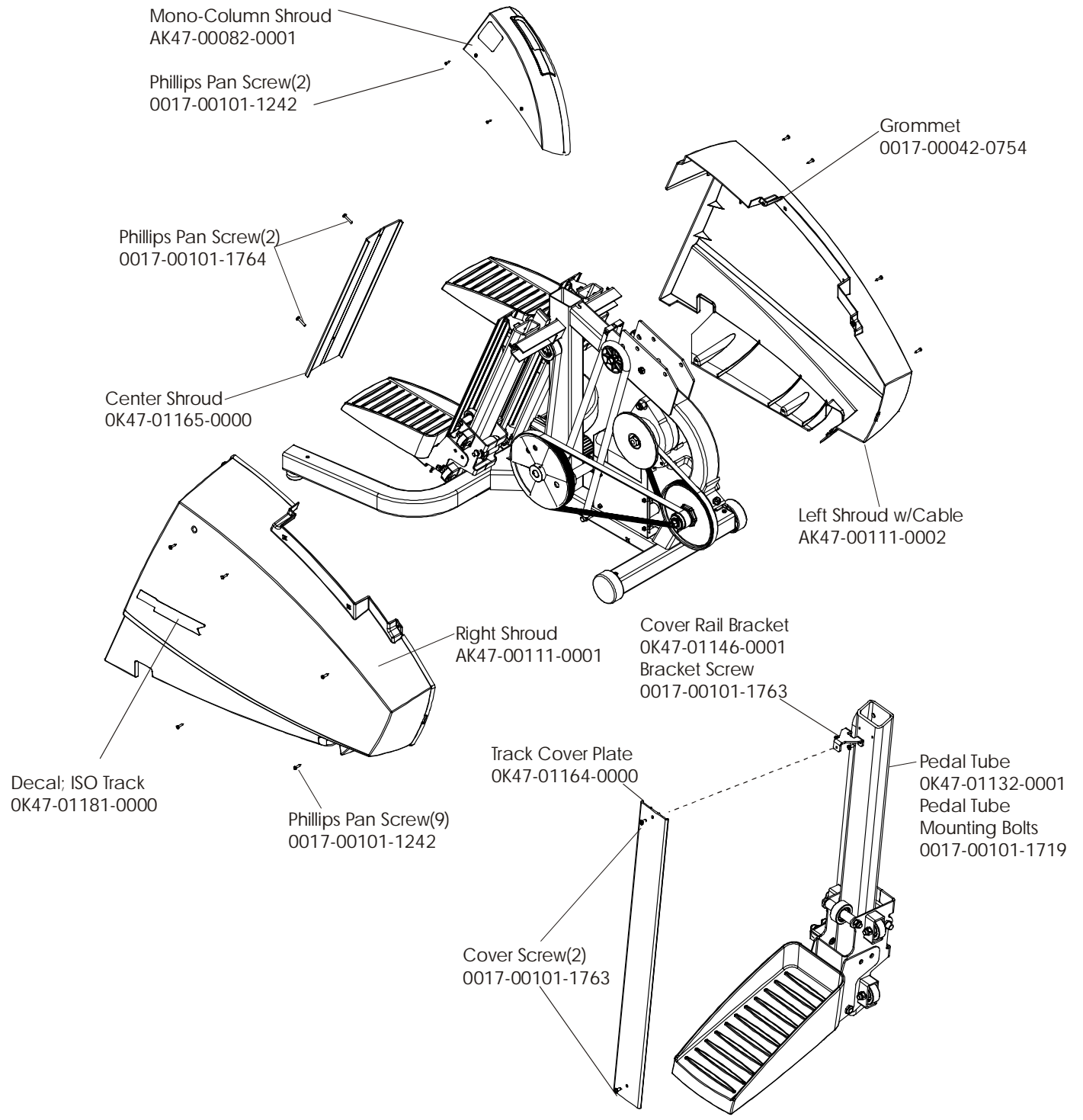
Stepper 95Si
Frame Assembly

95Si-XXXX-01
S/N SCI100000



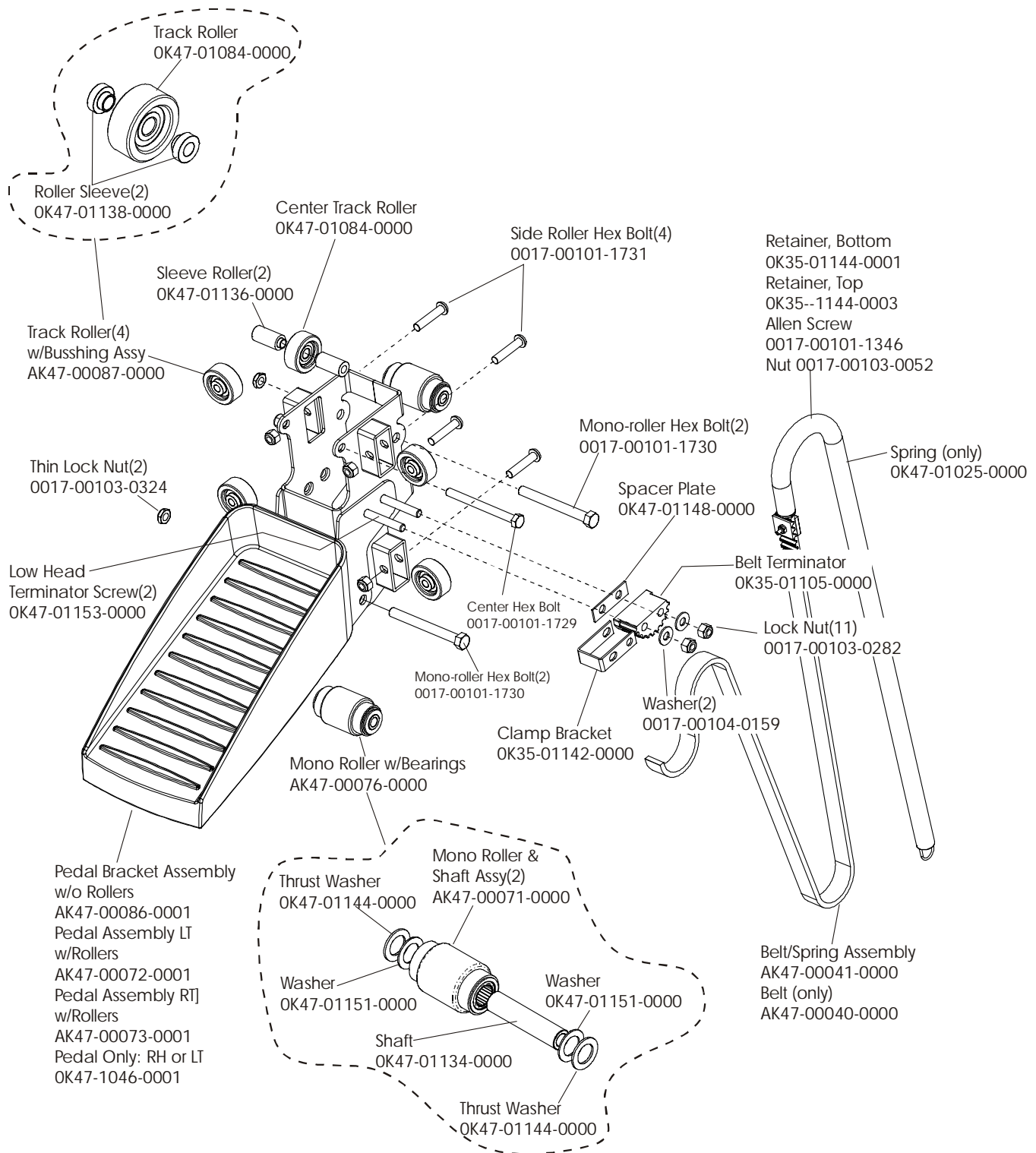
Stepper 95Si
Shrouds & Pedal Tube

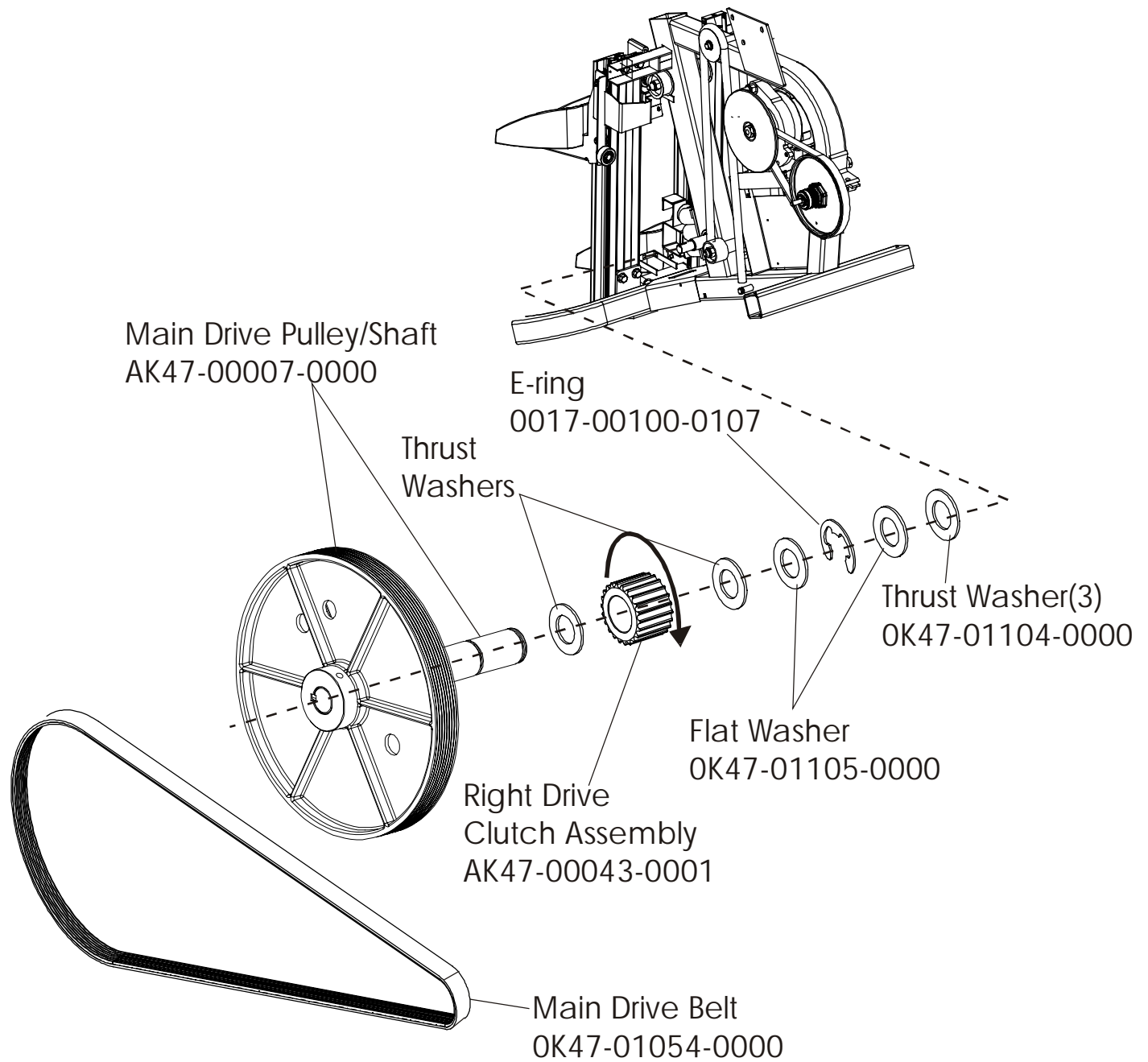
95Si-XXXX-01
S/N SCI100000

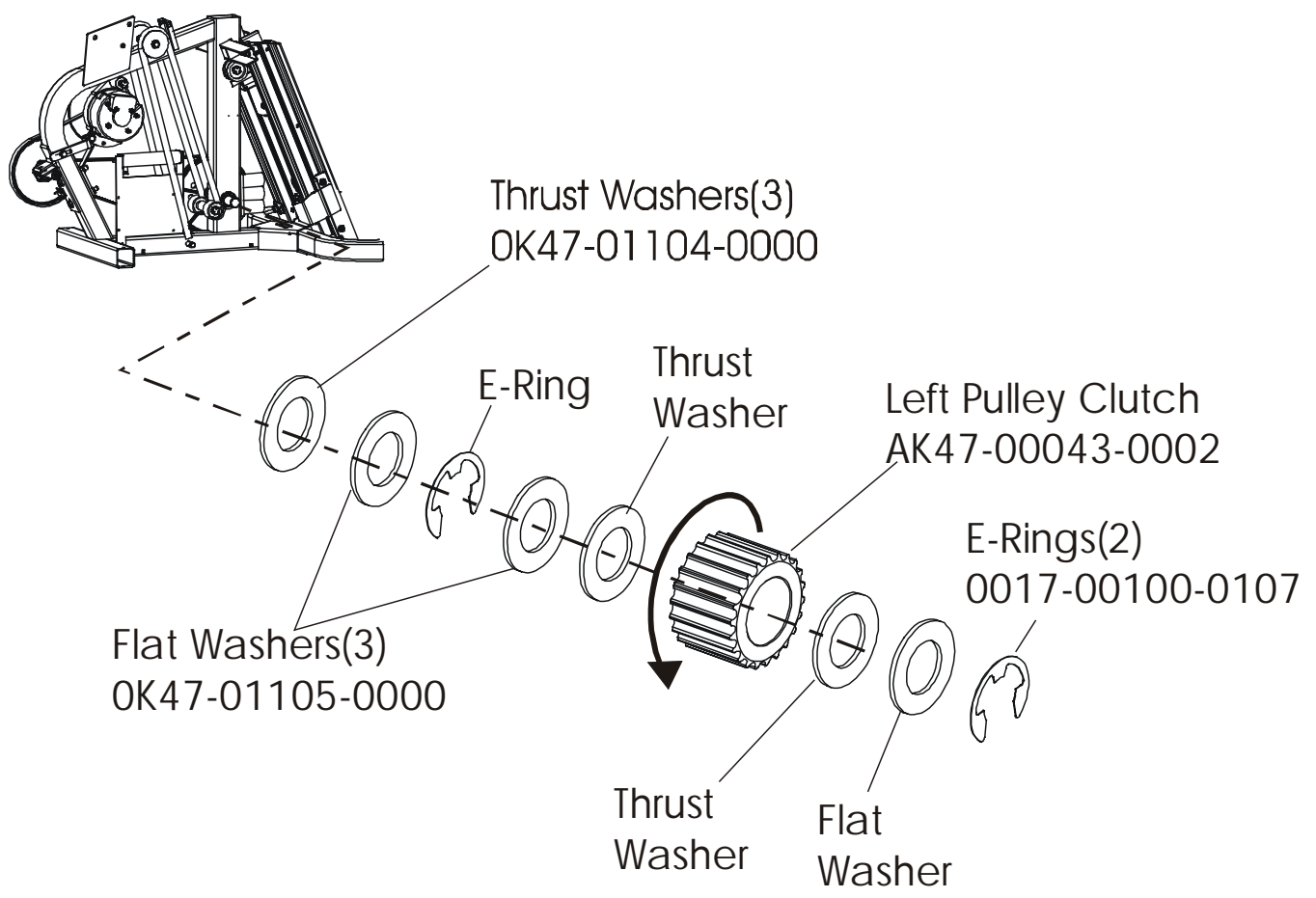


Stepper 95Si Pedal Assembly

95Si-XXXX-01
S/N SCI10000

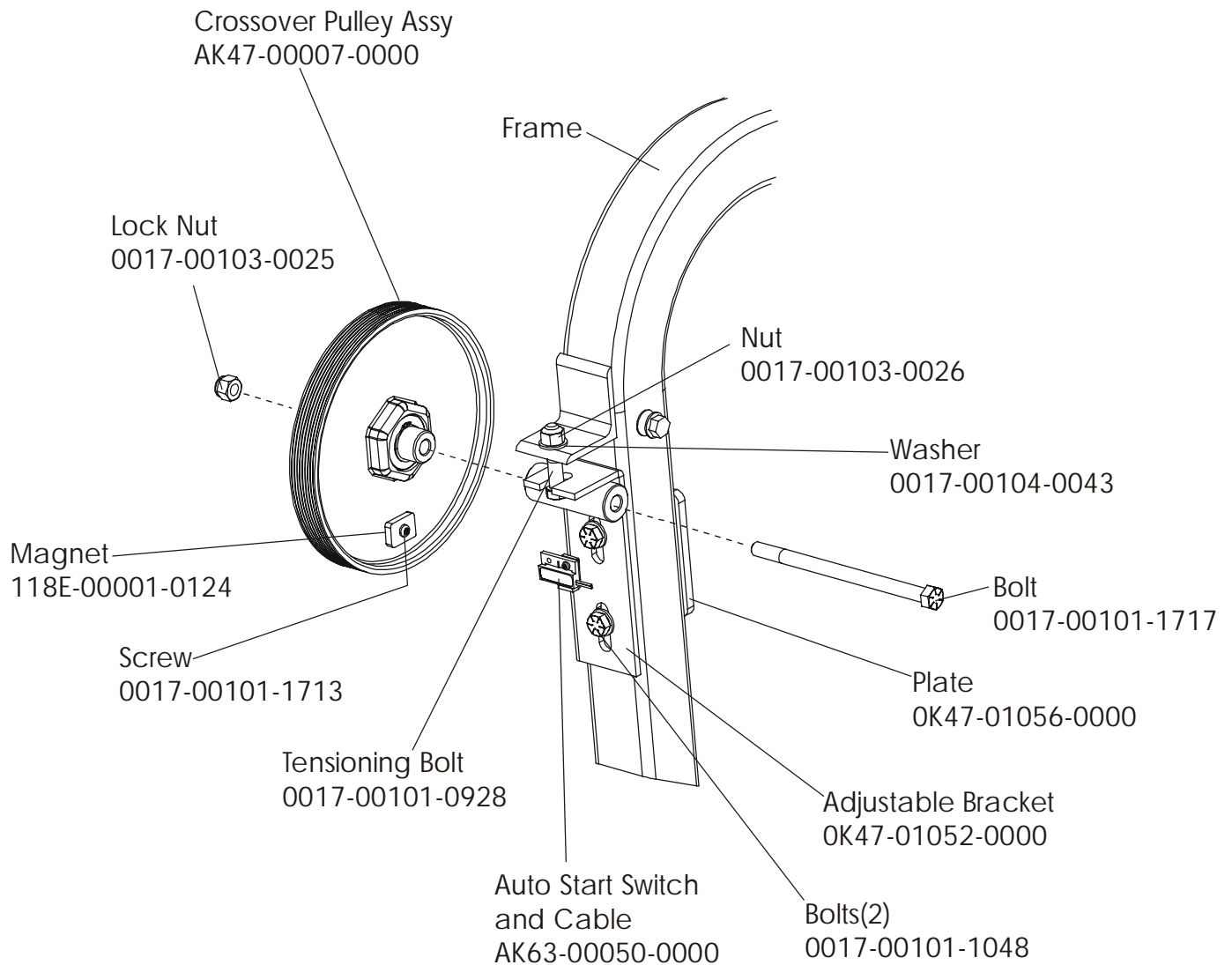


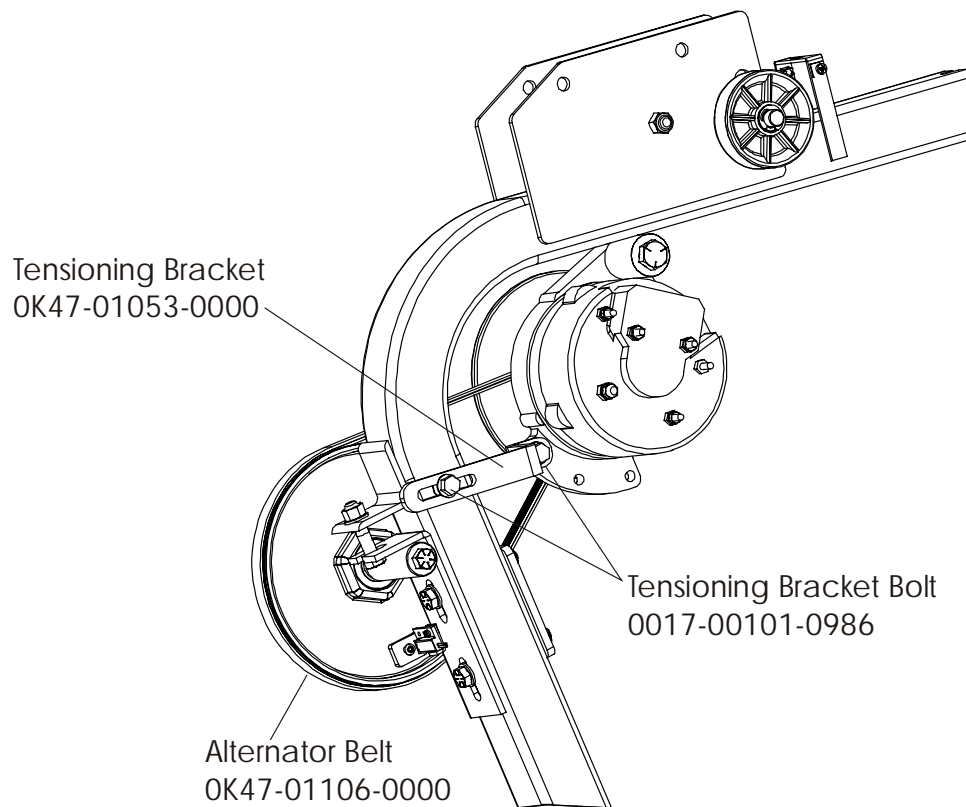
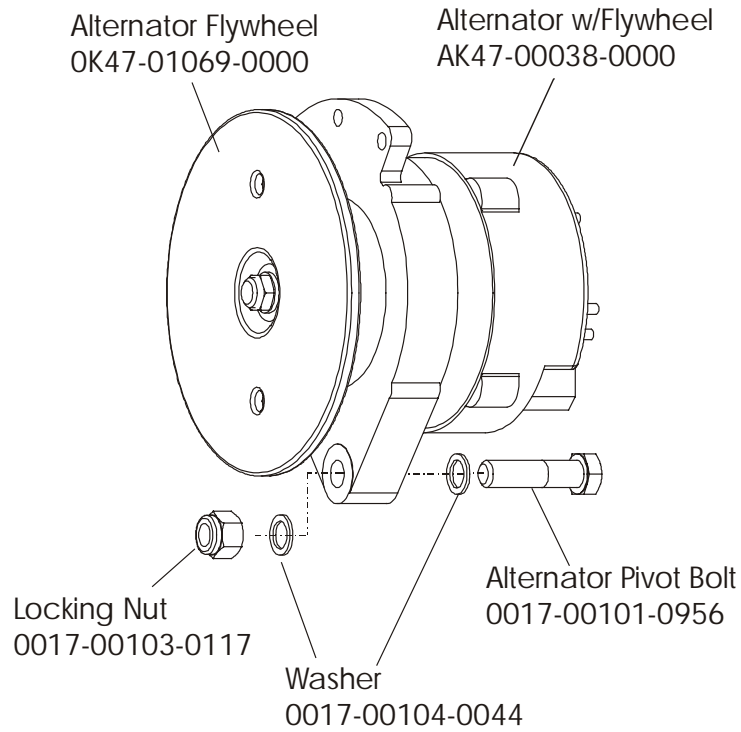


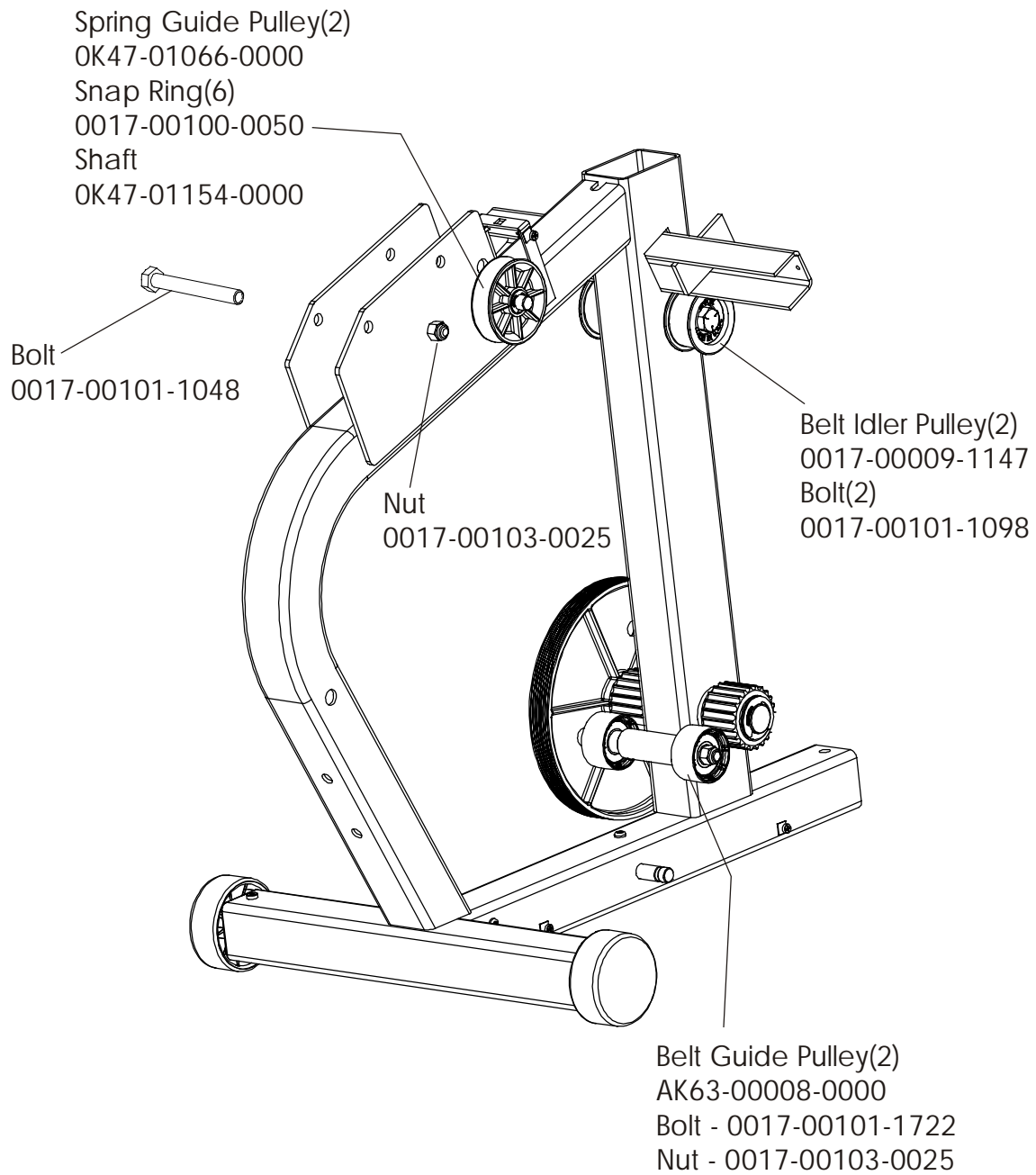


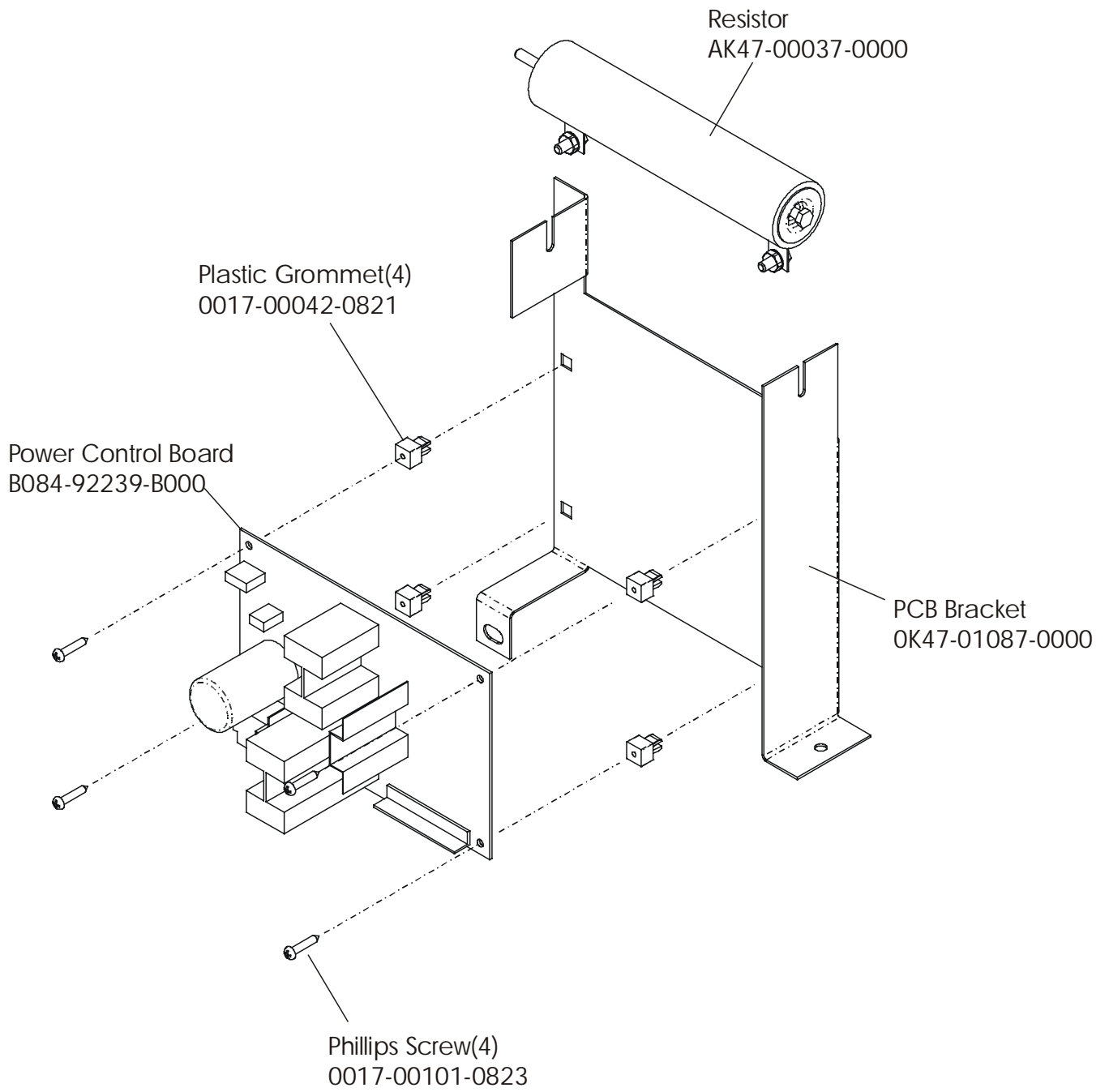
Stepper 95Si
Crossover Pulley Assembly

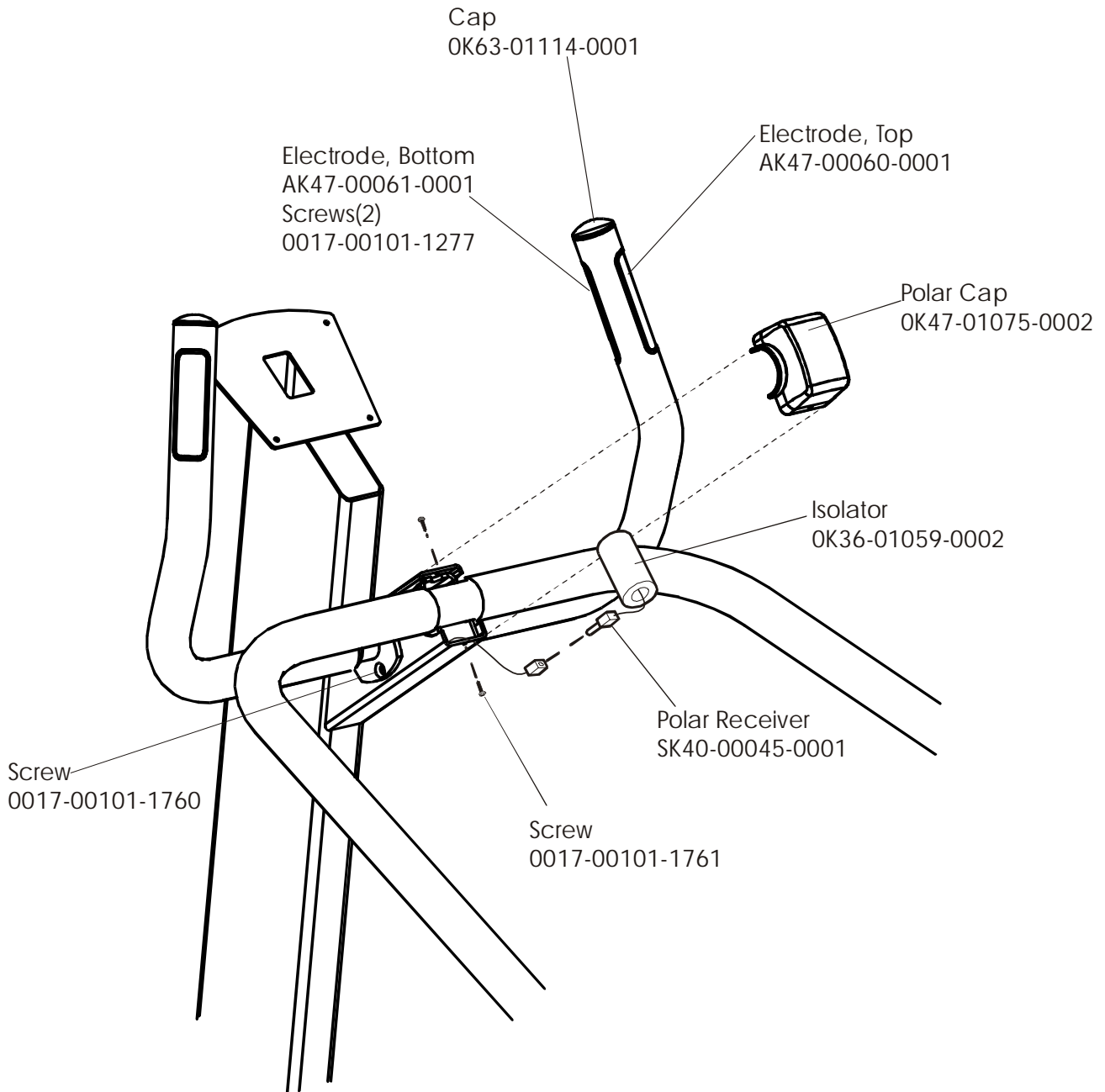
95Si-XXXX-01
S/N SCI100000





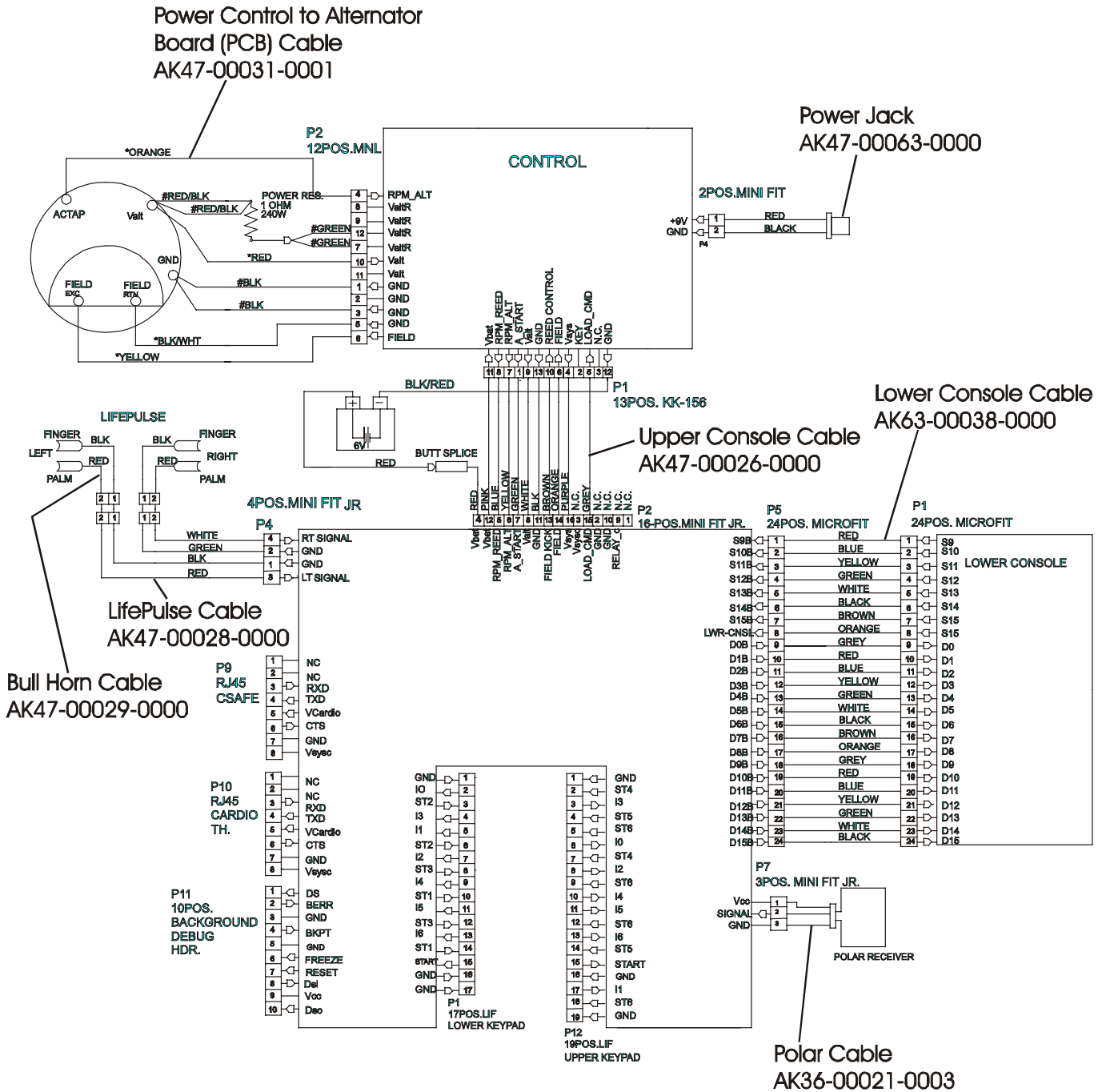






Stepper 95Si Cables

95Si-XXXX-01
S/N SCI10000



| Description | Part Number |
|---|-----------------|
| Domestic 120/60 Battery Charge w/Cord | 118E-00001-0148 |
| Universal Battery Charger w/o Line Cord | 118E-00001-0147 |
| Line Cord 220V/60Hz | 0017-00003-0704 |
| Line Cord 100V/50Hz | |
| Line Cord 240+ | 0017-00003-0918 |
| Line Cord 220V/50Hz | 0017-00003-0691 |
| Line Cord 200V/50Hz | |
| Line Cord 230V/50Hz | |